

IMPORTANT INFORMATION

■ ACTIVATED CARBON BLOCK FILTERS

Sintered activated carbon block filters as used in this system differ fundamentally from:

- table or can filters which do improve the water's flavour (and partially the optics of the water as well) but can only remove pollutants to a small degree.
- extruded block filters which have to a very high degree agglutinated (and therefore ineffective) activated carbon surfaces based on the molten binders created during the manufacturing process.

The high-quality activated carbon that is based on coconut shells and used in the CARBONIT® block filters has a very high adsorption capacity. Thereby, for example, substances such as chlorine, lead, copper, pharmaceutical residues and hormone-related substances are removed. The minerals stay in the drinking water.

■ USABLE FILTER CARTRIDGES

The VARIO-HP, depending on the version, is fitted by the manufacturer with a CARBONIT® NFP Premium (Classic, Kitchen) or IFP Puro (Universal, Comfort) filter cartridge. If needed, information on these and alternative filter cartridges can be gotten from the authorised CARBONIT® dealers or on our website.

■ REPLACEMENT INTERVALS & FILTER PERFORMANCE

- NFP Premium: max. 6 months / up to 10,000 l
- IFP Puro: max. 6 months / up to 5,000 l

The replacement interval of max. 6 months is highly recommended due to hygienic reasons and is stipulated by DIN 1988 / DIN EN 1717. An earlier change within this time period can however become necessary if the water flow has become noticeably less. This is not a defect in the used filter but rather a pointer to the fact that there are now more and more fine particles in the unfiltered water.

Replacement intervals and filter performance of the other usable filter cartridges are listed in the respective documents or on our website www.carbonit.com / My Filter.

■ CARE/MAINTENANCE

The filter housing is pretty much maintenance-free. When changing the filter cartridge it is recommended that one cleans it with a soft cloth and some washing-up liquid; one should also check the mechanical functions as well as the wear parts (seals, tubes etc.).

■ WEAR PARTS

- Filter cartridge: Please make sure to keep to the replacement intervals.
- Seals/tubes: All seals and tubes are wear parts and, if necessary, should be replaced.

■ DISPOSAL OF THE FILTER CARTRIDGES

As the activated carbon of the CARBONIT® filter cartridges are made of coconut shells, the used cartridges can simply be disposed of with the general household waste.

■ OTHER PARTICULARS

If one does not adhere to this manual, then any and every warranty claim is forfeited.

No liability can be assumed for the consequences of using filter cartridges made by other manufacturers.

FURTHER INFORMATION

■ SUPPLIERS

Products of CARBONIT® Filtertechnik GmbH, amongst others replacement filters and accessories, are stocked and sold by a network of authorised dealers.

Further information on the topics of health and filtered drinking water as well as on the range of products as well as the dealer network can be found on our website:

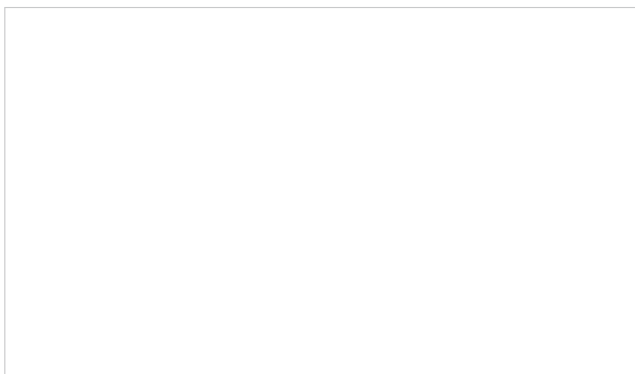
→ www.carbonit.com / My Filter

■ MANUFACTURER:

CARBONIT® Filtertechnik GmbH
Industriestrasse 2
29410 Salzwedel / OT Dambeck
Germany

Date of issue: 06.06.2016

■ YOUR DEALER:



 carbonit®

VARIO-HP

Premium Drinking Water Filter



FILTER MADE IN GERMANY

545006-e-160606

PRIOR TO INSTALLATION

Fresh spring water at home – with the VARIO-HP manufactured by CARBONIT® not a problem at all. In an instant a healthy thirst quencher flows from one's water taps at home. The technology can be installed easily and quickly.

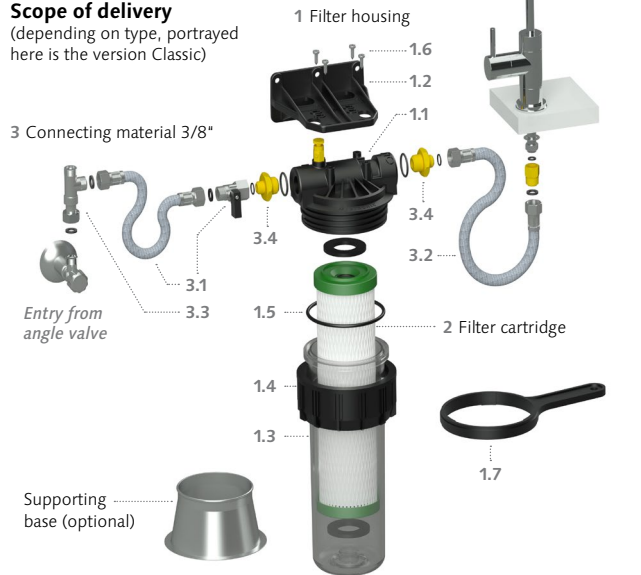
The filter device CARBONIT® VARIO-HP filters the tap water at the point of extraction and is always hidden beneath the sink.

AVAILABLE VERSIONS OF THE VARIO-HP

• Classic	Branch-off from the line, incl. filter cartridge NFP Premium , incl. Water tap set 8 , connecting set with screw coupling
• Kitchen	Branch-off from the line, incl. filter cartridge NFP Premium , without a water tap set, connecting set with quick coupling
• Savings set	As kitchen, incl. 2nd NFP Premium , filter subscription & duck
• Kitchen packg.	As kitchen, incl. Water tap set 7 , decanter set, drinking bottle and second NFP Premium
• Universal	Connecting into the line, incl. filter cartridge IFP Puro , without a water tap set, connecting set with quick coupling
• Comfort	Branch-off from the line, incl. filter cartridge IFP Puro , incl. Water tap set 8 , connecting set with quick coupling

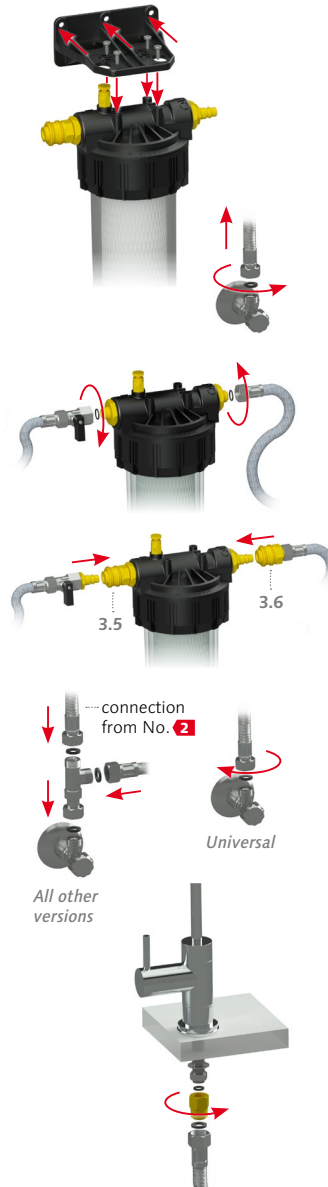
Scope of delivery

(depending on type, portrayed here is the version Classic)



INSTALLATION OF THE FILTER

Check if the delivery is complete! (see scope of delivery)



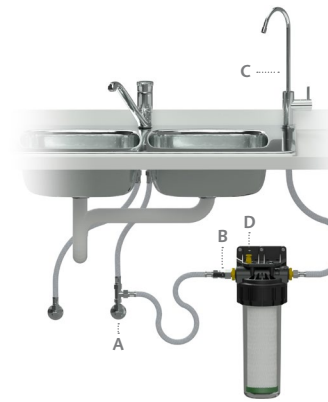
1 The wall mount 1.2 has to be fixed to the wall with suitable material (dowels, screws); due to the removability don't tighten the screws too much; finally fixate the filter device at the filter head 1.1 with the included screw set 1.6 at the wall mount.

2 Loosen the existing cold water line at the angle valve (**careful!** turn off the cold water supply beforehand!). The connecting material is made to fit 3/8" threads.

3 Connecting the tubing sets:
VARIO-HP Classic: Connecting tube with ball valve 3.1 at the double nipple 3.4 on the inlet side (IN) and screw the connecting tube 3.2 tight on the outlet side (OUT) at the double nipple 3.4.
All other versions: Mount the connecting set with ball valve 3.1 to the quick coupling 3.5 on the inlet side (IN) and the second tube 3.2 onto the outlet side (OUT) at the quick coupling 3.6 (it has to noticeably lock into position).

4 Depending on the version: When branching off from the supply line (**except for Type Universal**), connect the T-piece 3.3 to the angle valve and also connect the loosened connection of No. **2** with the T-piece 3.3.
 For the **VARIO-HP Universal** connect the inlet tube 3.1 directly to the angle valve.

5 Mount water outlet tube 3.2 onto the water tap provided.



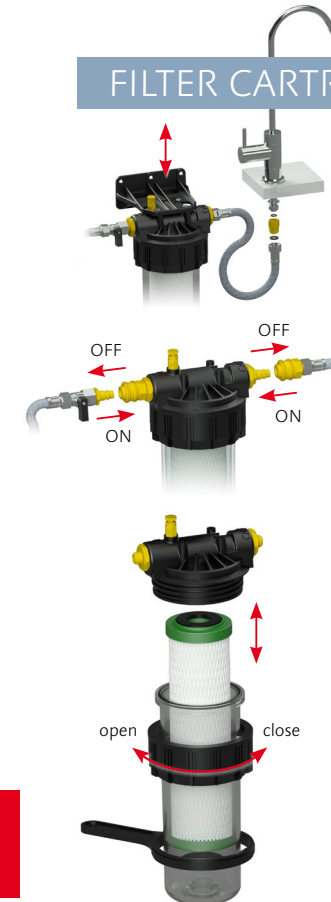
6 Venting and rinsing the filter:

1. Turn on angle valve A.
2. Open ball valve B.
3. Open water tap C until bubble-free water comes out, thereafter close water tap C and ball valve B again.
4. In order to vent, turn on the knurled screw of the venting valve D at the filter head until water comes out, then turn it off and open up ball valve B again. If necessary repeat the procedures 2.-4.

5. In order to rinse let water flow through the filter for approx. five minutes; thereby some carbon dust may be rinsed out.

Leakage check! After you have assembled everything and after approx. 30 minutes check all of the connections and the filter device for leakages. Your drinking water filter can now be used!

FILTER CARTRIDGE EXCHANGE



7 Close ball valve B and open water tap C. For the variants that have screwed tubes (Classic) take the filter housing 1 with the wall mount 1.2 off from the wall in order to change the filter cartridge under the sink.

8 For the variants with quick-release locks: These can be removed from the filter housing by pulling back on the release sleeve. Then the filter housing together with the mount can be placed in the sink in order to change the filter.

9 To change the filter cartridge place the assembly key 1.7 onto the union nut 1.4 and loosen the screw, then change the filter cartridge and finally assemble everything again, just in reverse steps. In order to vent the filter, please have a look at **6.2**. Make sure to once again check for leakages! The VARIO-HP can now be used again!



Before connecting the VARIO-HP to the water supply system: turn off the cold water supply (angle valve) and tighten and secure all connections of the pre-assembled components!

After the installation, starting operations and changing filters one should without fail undertake a leakage check and repeat this at least once after 30 minutes. **Only operate with cold water!**